

YOURS/OURS
GALLERY
CONSTRUCTION

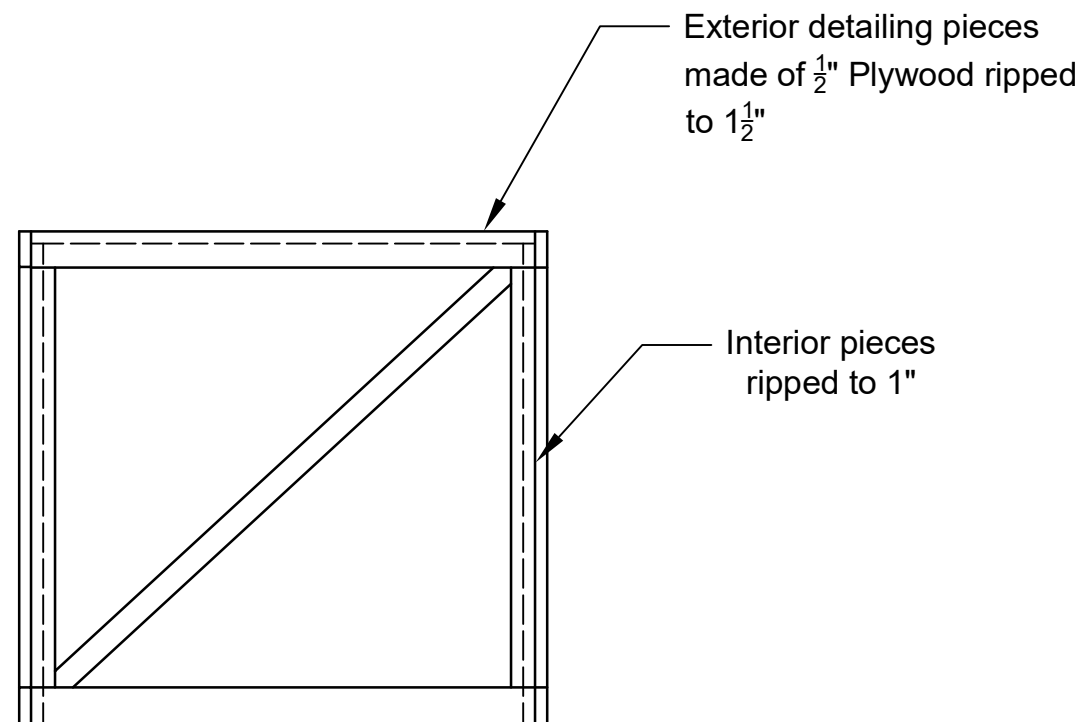
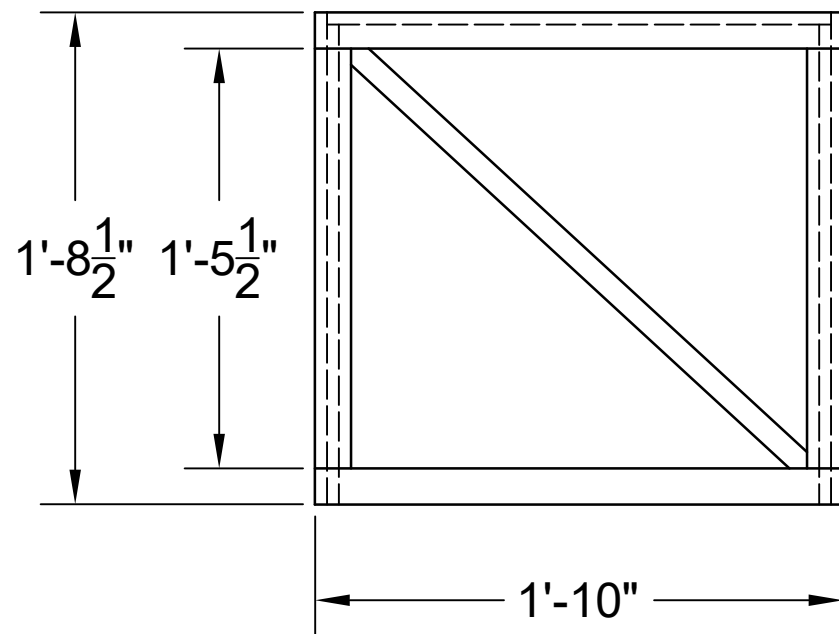
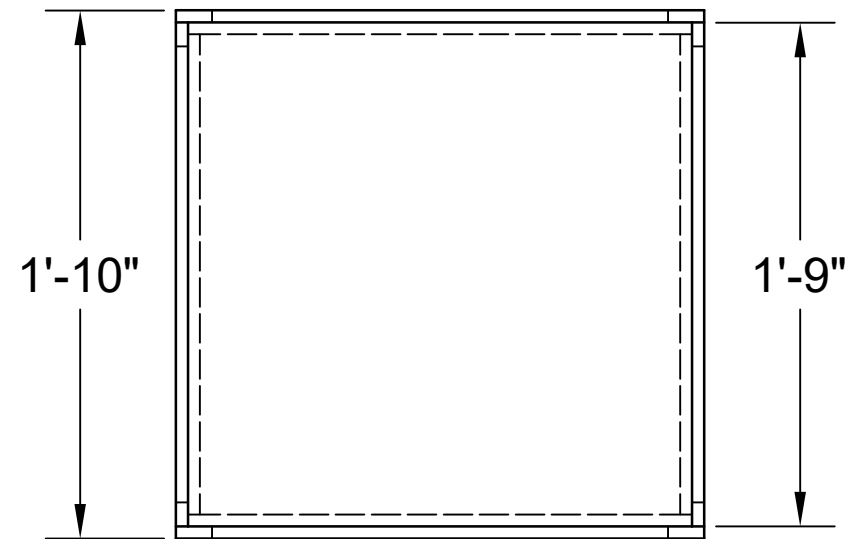
STATIONARY
WALLS

Drafted By:
Heather Mello

- Notes:
- Attach with glue and 1 $\frac{1}{4}$ " medium crown staples
 - Construct using $\frac{1}{2}$ " plywood ripped into 2 $\frac{1}{2}$ " inch strips
 - Attach to gallery wall using small L-brackets and $\frac{3}{4}$ " screws
 - Build 2

Scale:
3/4" = 1'

PLATE
2



YOURS/OURS
GALLERY
CONSTRUCTION

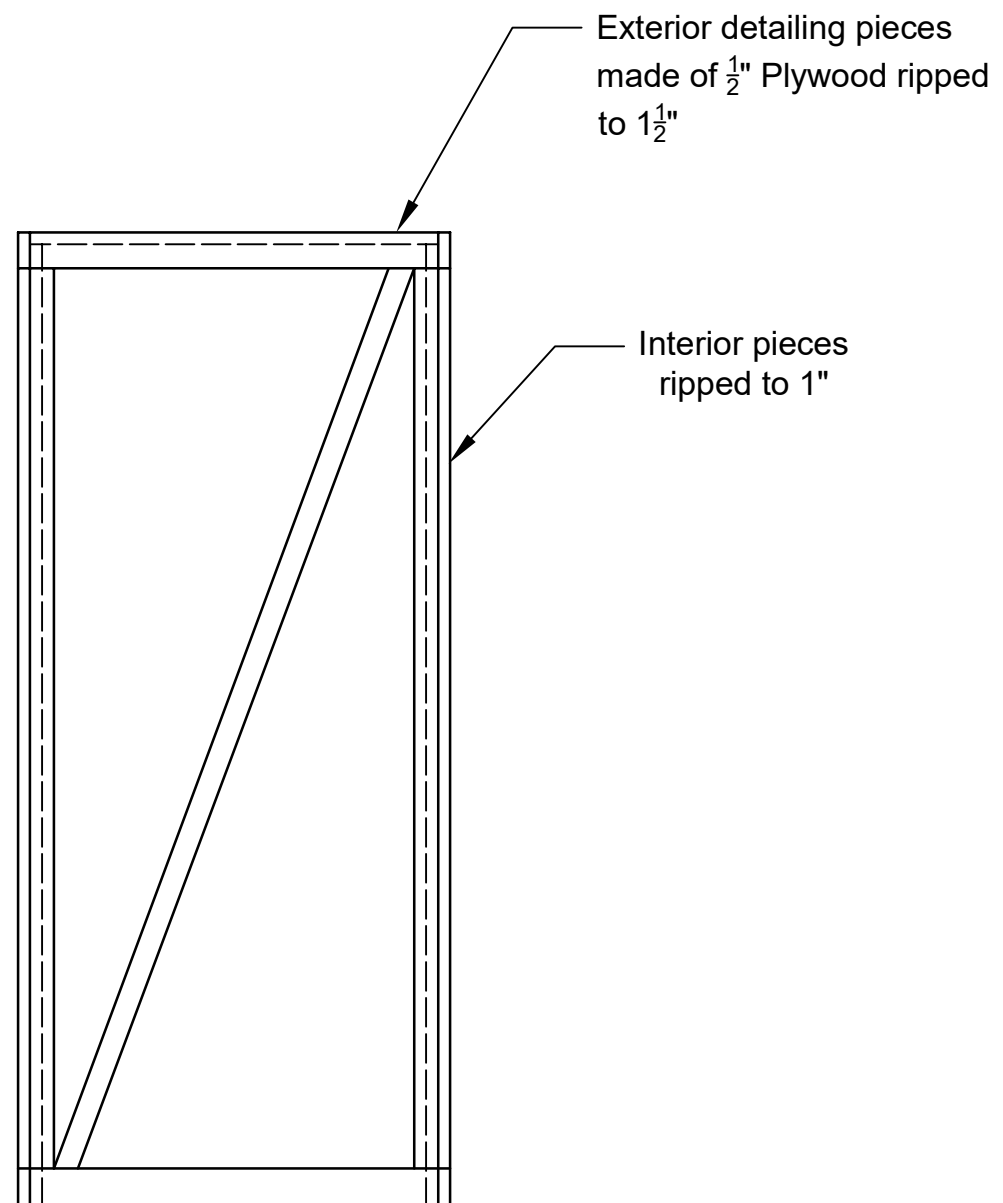
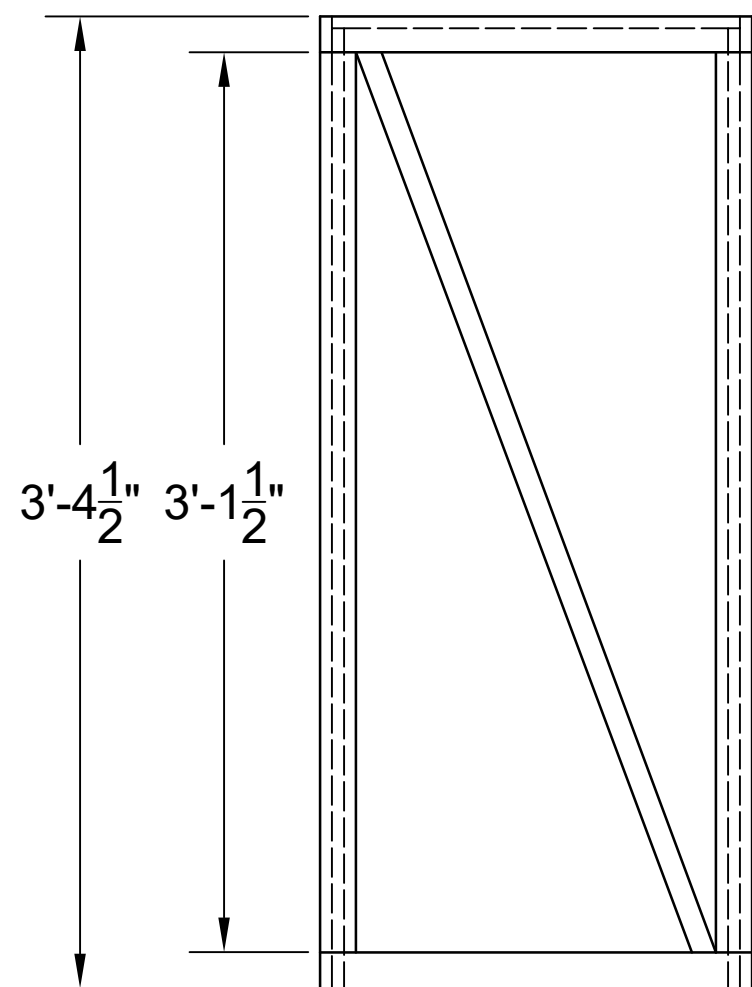
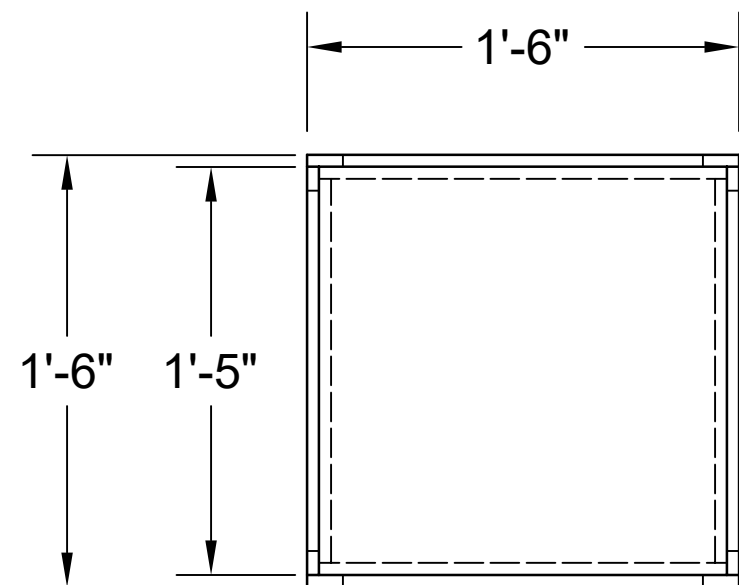
PEDESTAL 'A'
COVER

Drafted By:
Heather Mello

- Notes:
- Attach pieces with glue and $\frac{3}{4}$ " narrow crown staples
 - Exact distances vary, cut pieces while building
 - Should fit over given pedestal 'A'

Scale:
1-1/2" = 1'

PLATE
3



YOURS/OURS
GALLERY
CONSTRUCTION

PEDESTAL 'B'
COVER

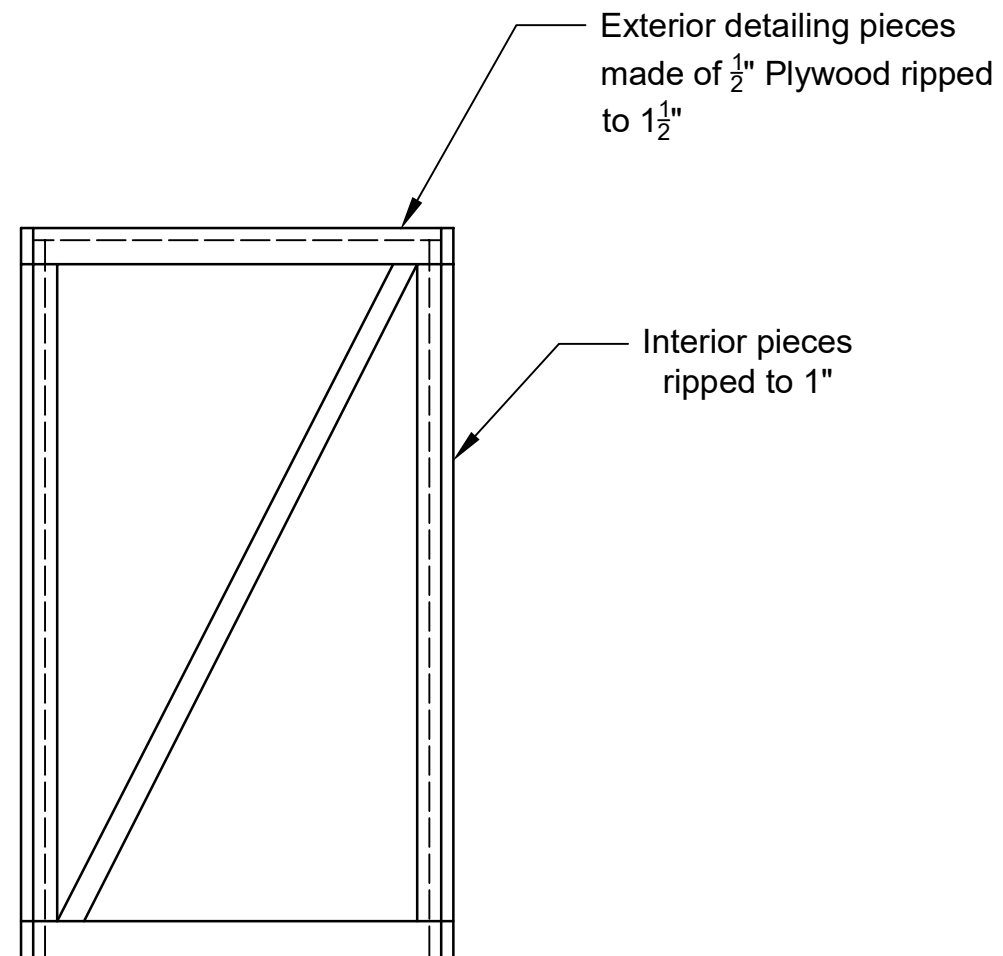
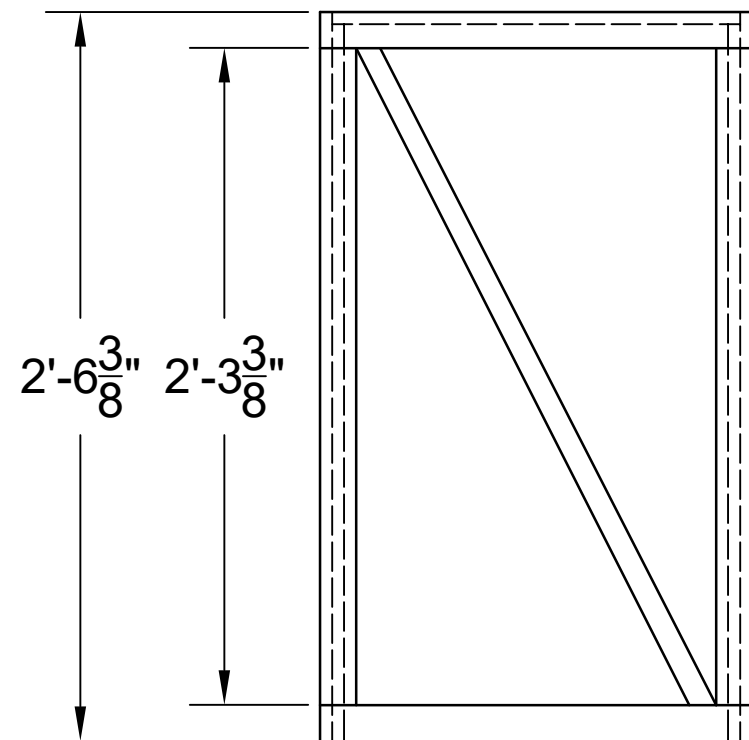
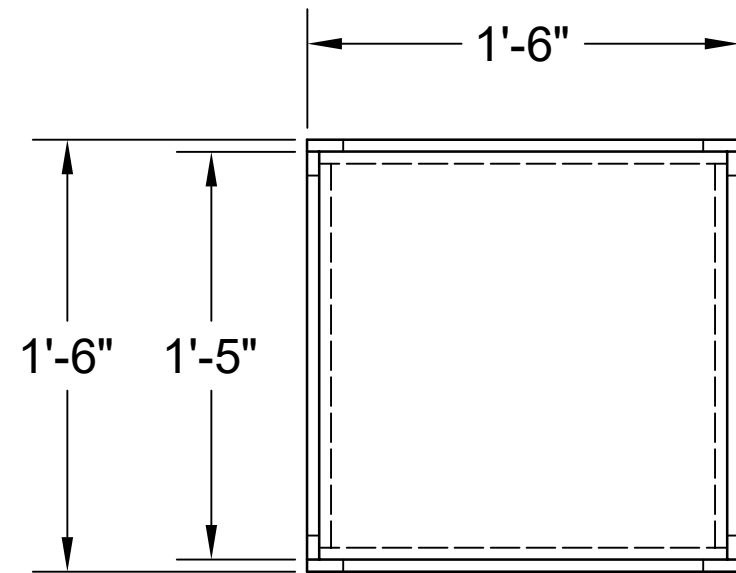
Drafted By:
Heather Mello

Notes:

- Attach pieces with glue and 3/4" narrow crown staples
- Exact distances vary, cut pieces while building
- Should fit over given pedestal 'B'

Scale:
1-1/2" = 1'

PLATE
4



YOURS/OURS
GALLERY
CONSTRUCTION

PEDESTAL 'C' & 'D'
COVER

Drafted By:
Heather Mello

- Notes:
- Build 2
 - Attach pieces with glue and $\frac{3}{4}$ " narrow crown staples
 - Exact distances vary, cut pieces while building
 - Should fit over given pedestals 'C' & 'D'

Scale:
1-1/2" = 1'

PLATE
5