

Scale:
 $\frac{1}{2}'' = 1'$

Apartment Project

Trevor Marshall

Hilltop Apartments

DIRECTOR:
 TREVOR MARSHALL

SCENIC DESIGNER:
 Clare Hilton

TECHNICAL DIRECTOR:
 Clare Hilton

Ground Plan

DRAFTED:
 9/21/2022
 by Clare Hilton

Scale:
 $\frac{1}{2}'' = 1'$

Apartment Project

Trevor Marshall

Hilltop Apartments

DIRECTOR:
TREVOR MARSHALL

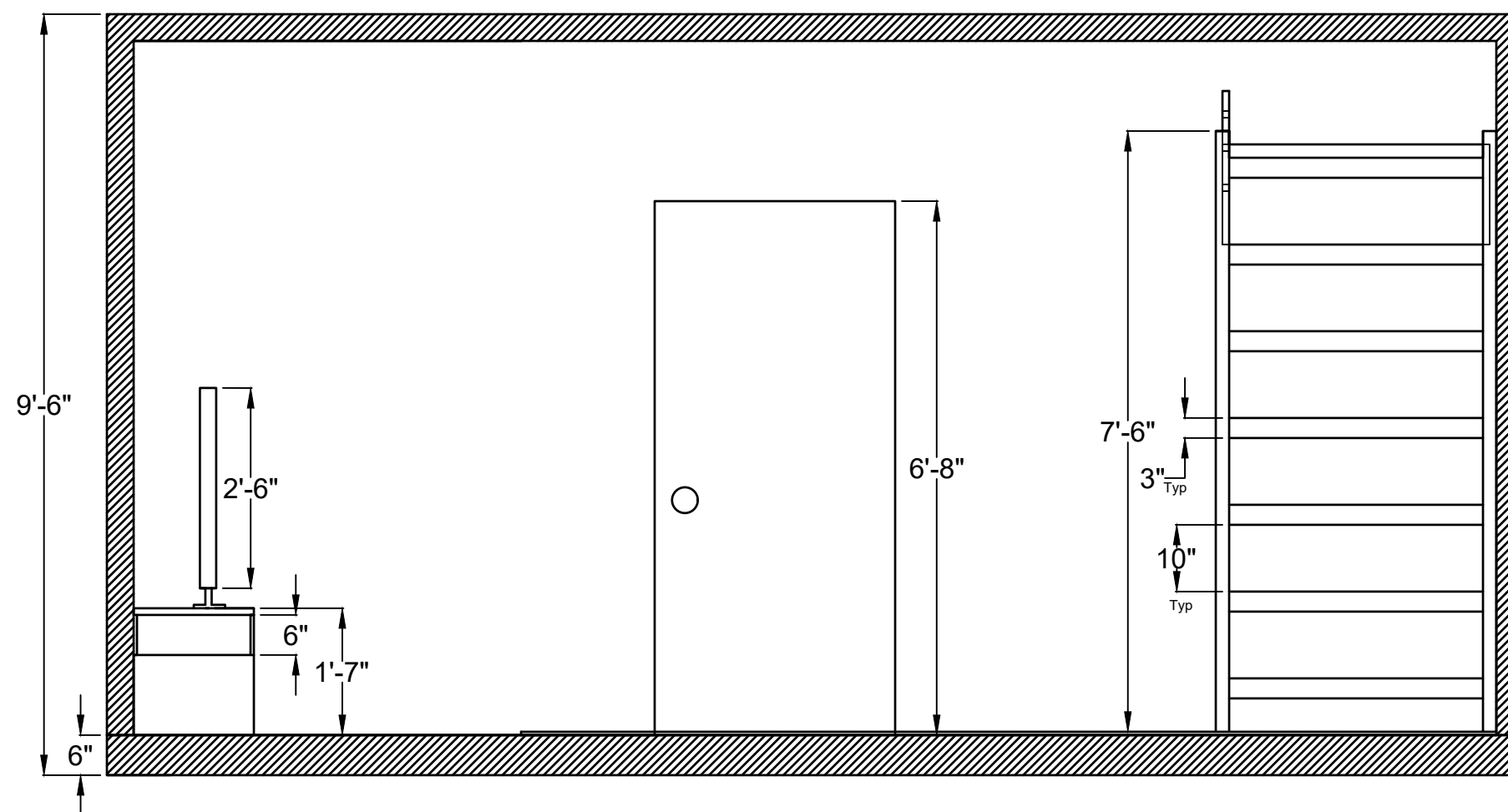
SCENIC DESIGNER:
Clare Hilton

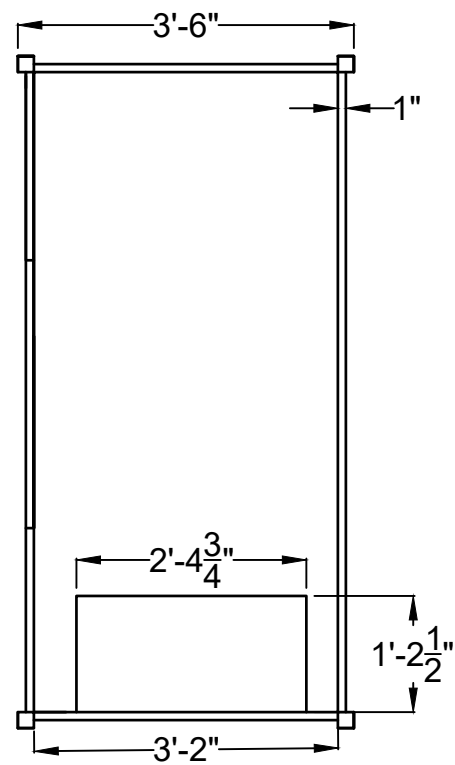
TECHNICAL DIRECTOR:
Clare Hilton

Elevation View

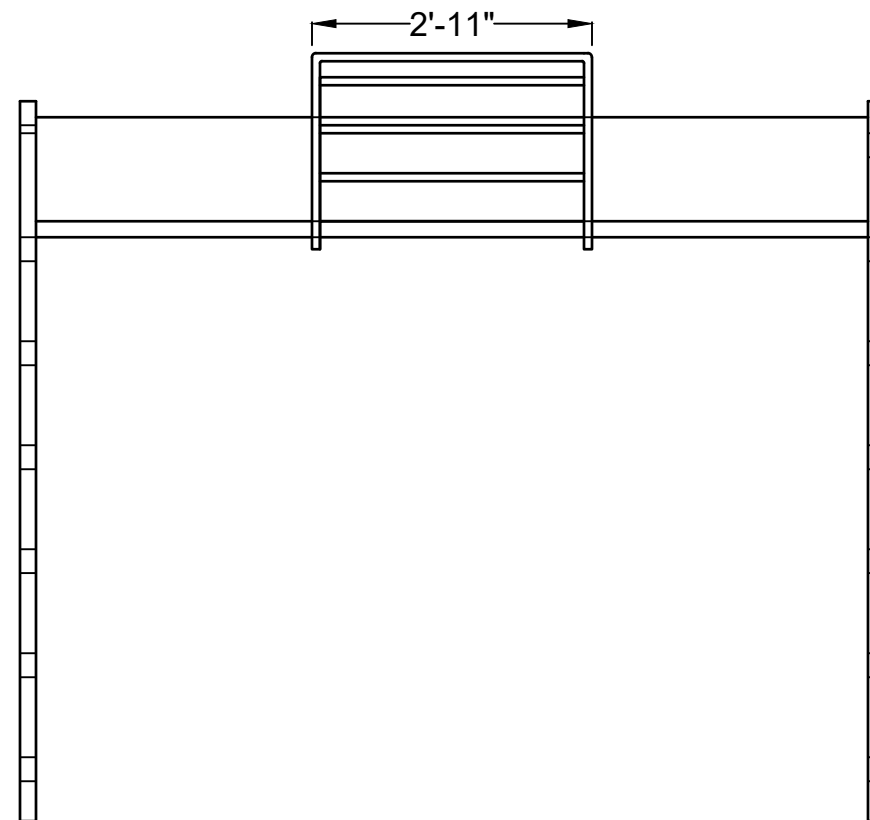
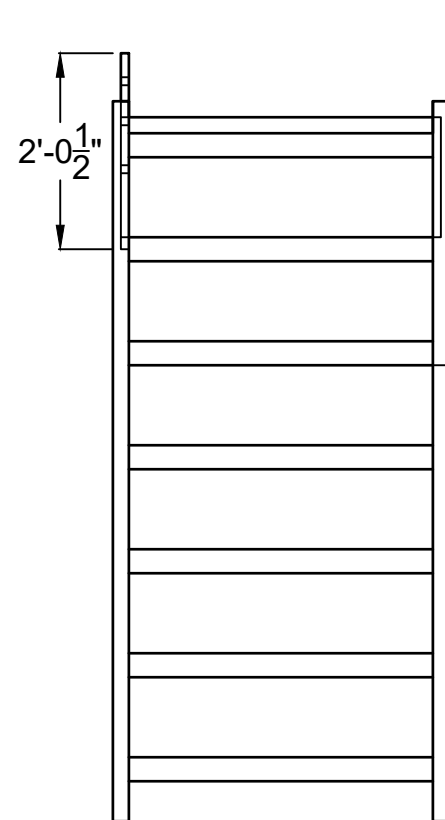
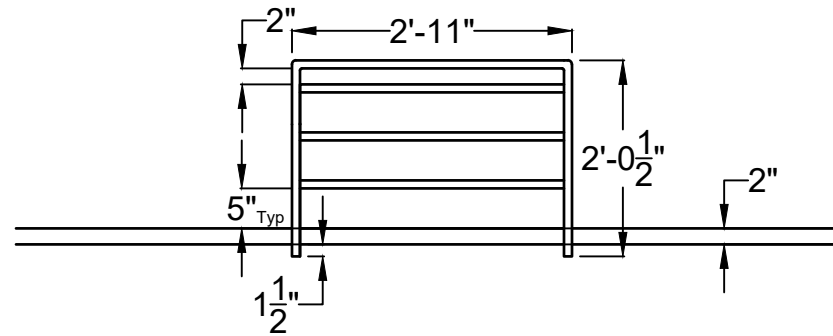
DRAFTED:
9/21/2022
by Clare Hilton

2 OF 4





Detailed drawing of railing



Scale:
 $\frac{1}{2}'' = 1'$

Apartment Project

Trevor Marshall

Hilltop Apartments

DIRECTOR:
 TREVOR MARSHALL

SCENIC DESIGNER:
 Clare Hilton

TECHNICAL DIRECTOR:
 Clare Hilton

Lofted Bed

DRAFTED:
 9/21/2022
 by Clare Hilton

Scale:
1" = 1'

Apartment Project

Trevor Marshall

Hilltop Apartments

DIRECTOR:
TREVOR MARSHALL

SCENIC DESIGNER:
Clare Hilton

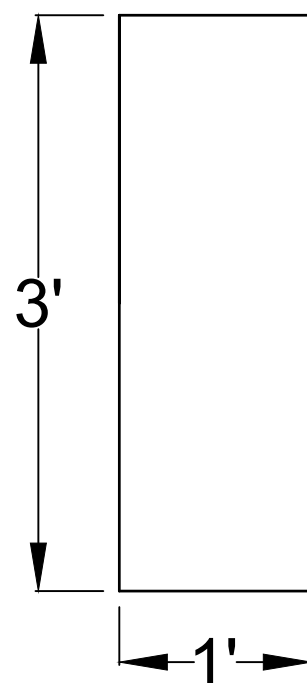
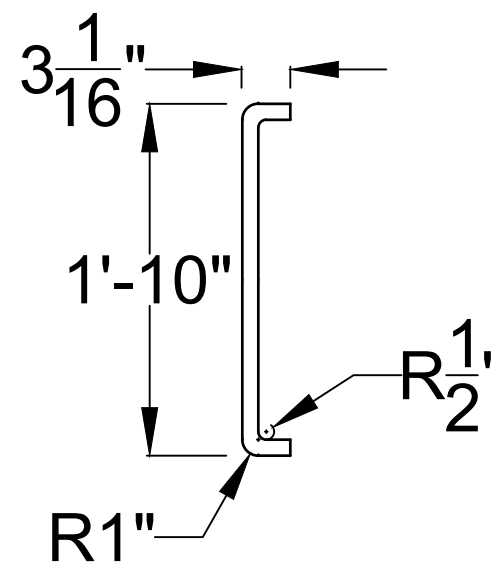
TECHNICAL DIRECTOR:
Clare Hilton

Bathroom Details

DRAFTED:
9/21/2022
by Clare Hilton

4 OF 4

Detailed drawing of towel holder in bathroom



Detailed drawing of bathmat in bathroom